

iQ parts
IQ-PARTS-SHOP.COM



**SPECS &
INFORMATION**

ASFA S-PRO (12mm) TITANIUM

TI



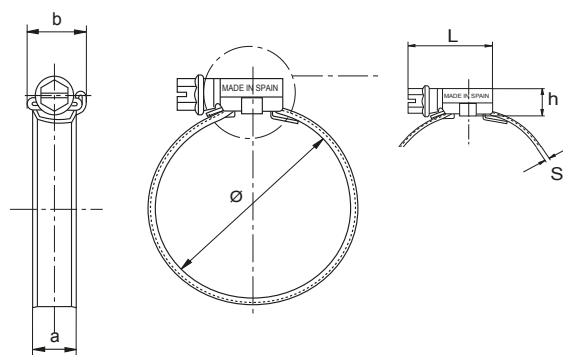
The fact that this clamp is manufactured entirely in titanium, combined with the innovative design of the housing and the 12mm bandwidth means that this clamp gives the best comparative weight, performance and corrosion-resistance ratio of any worm-drive clip in the world. We use revolutionary manufacturing processes in order to manufacture dimensions ranging from 16-27mm up to 220-240mm. Due to the exceptional characteristics of this clamp (much lighter than steel and exceptionally corrosion-resistant) it is suitable for use in high performance automotive applications, offshore, aeronautics and in the chemical industry, especially in applications involving acids. Each clamp is subject to individual quality control before packing.

Conforms to all current EU directives and norms.

** The maximum application pressure can vary depending on the type of hose used and the geometry of the coupling.*

| Application Ø | | | | | | | | | | |
|---------------|-----------|--------|---------|--------|------------------|--------|----------------|-----------------|-------------------|---------------|
| mm | Part nº | L max. | S +0,10 | h max. | a +0,4 a -0,2 | b max. | Maximum values | | Box Quantity (MO) | Outer Packing |
| | | | | | | | Torque (Nm) | Pressure (Bars) | | |
| 16-27 | 0300950-2 | 29,6 | 1 | 11 | 12,2 | 18 | 5 | 47 | 1 | 20 |
| 20-32 | 0300951-0 | 29,6 | 1 | 11 | 12,2 | 18 | 6 | 47 | 1 | 20 |
| 25-40 | 0300952-9 | 29,6 | 1 | 11 | 12,2 | 18 | 6 | 42 | 1 | 20 |
| 30-45 | 0300953-7 | 29,6 | 1 | 11 | 12,2 | 18 | 6 | 37 | 1 | 20 |
| 32-50 | 0300954-5 | 29,6 | 1 | 11 | 12,2 | 18 | 7 | 37 | 1 | 20 |
| 40-60 | 0300955-3 | 29,6 | 1 | 11 | 12,2 | 18 | 7 | 32 | 1 | 20 |
| 50-70 | 0300956-1 | 29,6 | 1 | 11 | 12,2 | 18 | 7,5 | 26 | 1 | 20 |
| 60-80 | 0300957-0 | 29,6 | 1 | 11 | 12,2 | 18 | 7,5 | 21 | 1 | 20 |
| 70-90 | 0300958-8 | 29,6 | 1 | 11 | 12,2 | 18 | 7,5 | 18 | 1 | 20 |
| 80-100 | 0300959-6 | 29,6 | 1 | 11 | 12,2 | 18 | 7,5 | 15 | 1 | 20 |
| 90-110 | 0300960-9 | 29,6 | 1 | 11 | 12,2 | 18 | 7,5 | 13 | 1 | 20 |
| 100-120 | 0300961-7 | 29,6 | 1 | 11 | 12,2 | 18 | 7,5 | 11 | 1 | 20 |
| 110-130 | 0300962-5 | 29,6 | 1 | 11 | 12,2 | 18 | 7,5 | 8,5 | 1 | 20 |
| 120-140 | 0300963-3 | 29,6 | 1 | 11 | 12,2 | 18 | 7,5 | 7,4 | 1 | 20 |
| 130-150 | 0300964-1 | 31,6 | 1 | 11 | 12,2 | 18 | 7,5 | 6,3 | 1 | 20 |
| 140-160 | 0300965-0 | 31,6 | 1 | 11 | 12,2 | 18 | 7,5 | 5,3 | 1 | 20 |
| 150-170 | 0300966-8 | 31,6 | 1 | 11 | 12,2 | 18 | 7,5 | 4,2 | 1 | 20 |
| 160-180 | 0300967-6 | 31,6 | 1 | 11 | 12,2 | 18 | 7,5 | 3,2 | 1 | 20 |
| 170-190 | 0300968-4 | 31,6 | 1 | 11 | 12,2 | 18 | 7,5 | 2,1 | 1 | 20 |
| 180-200 | 0300969-2 | 31,6 | 1 | 11 | 12,2 | 18 | 7,5 | 2,1 | 1 | 20 |
| 190-210 | 0300970-5 | 31,6 | 1 | 11 | 12,2 | 18 | 7,5 | 1,9 | 1 | 20 |
| 200-220 | 0300971-3 | 31,6 | 1 | 11 | 12,2 | 18 | 7,5 | 1,9 | 1 | 20 |
| 210-230 | 0300972-1 | 31,6 | 1 | 11 | 12,2 | 18 | 7,5 | 1,7 | 1 | 20 |
| 220-240 | 0300973-0 | 31,6 | 1 | 11 | 12,2 | 18 | 7,5 | 1,7 | 1 | 20 |

| TECHNICAL INFORMATION | |
|--------------------------------|---------------------|
| MATERIAL | TITANIUM ASTM B-348 |
| FINISH | PTFE-BLACK |
| MAXIMUM TIGHTENING SPEED (RPM) | 540 ±5 |





info@iq-parts.nl
Harsweg 34A
2461 EZ Ter Aar
T +31 252 624 126
The Netherlands